

Give leftover materials a second life – Overview of costs & services

PRICING GUIDE FOR MATERIAL REDISTRIBUTION PER PALLET

At a glance: Services per pallet

INCLUDED SERVICES

- **Material transfer**
Pick-up and targeted delivery to social and circular projects.
- **Projekt management**
We take care of coordination with all the involved trades, logistical planning and the follow-up.
- **Redistribution team**
Our experienced team ensures a smooth on-site process. Travel expenses, where applicable, are charged separately.
- **Logistics**
Coordination of material pick-up, loading and handover - tailored to location, time slot and material requirements.

OPTIONAL SERVICES

- **CO2 Accounting & Reuse Report**
Documentation of avoided emissions, waste volumes and social impact.
 - One Pager: from €500
 - Full Report: from €1,500 €
- **Dismantling Support**
Professional dismantling service, even when time is tight.
- **Storytelling**
Live insights and success tales - as Instagram stories, posts or keynotes.
- **Transportation assistance**
Pallets and forklifts for easy loading and safe transfer.

PRICE STACKING PER PALET

Pallets 1 to 10

€240 each

Pallets 11+

€120 each

- **Single-material discount**
Up to 50% discount for single-variety material
- **Optimized load planning**
e.g. by stacking pallets may reduce the price

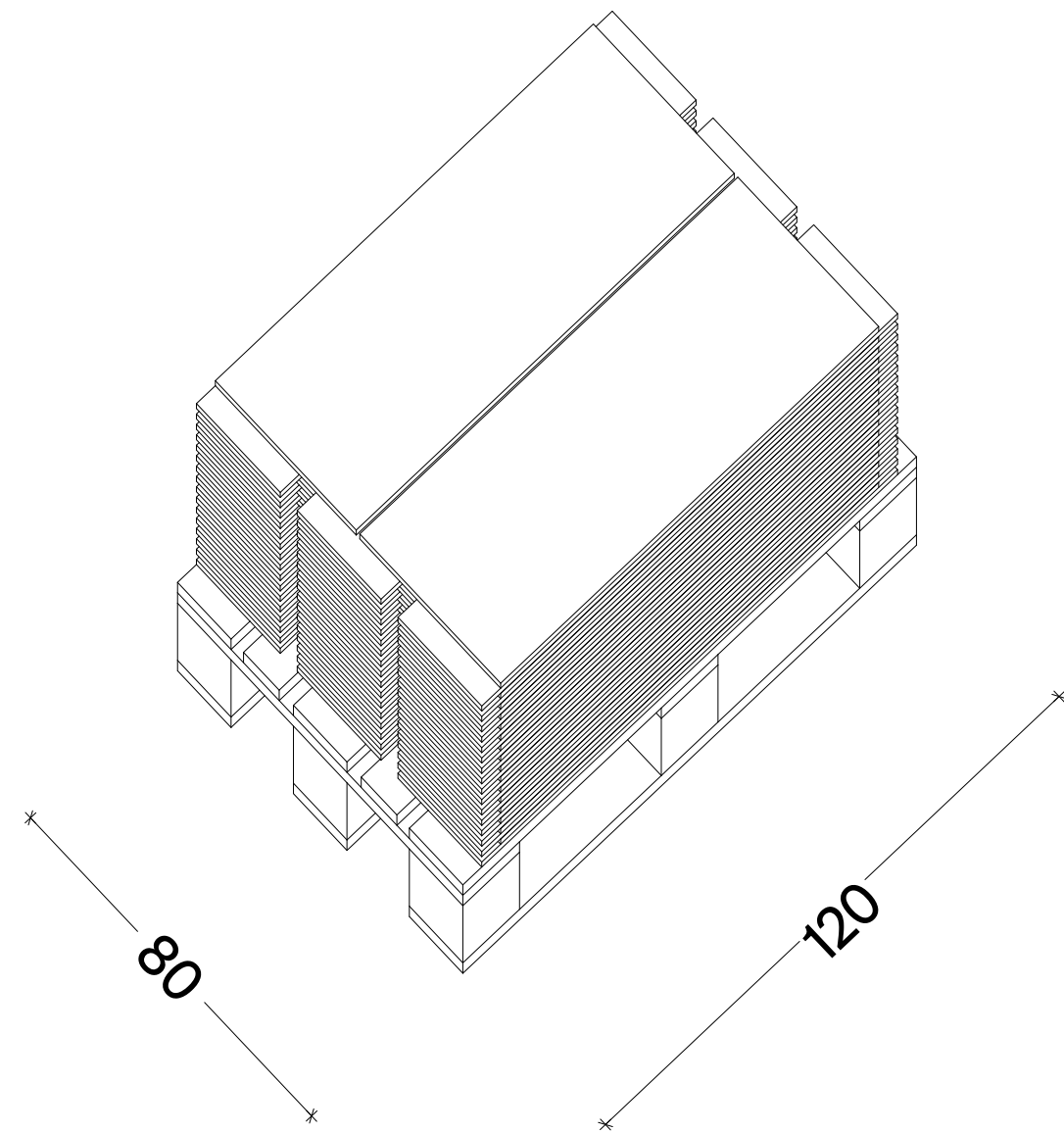
Note

Prices are indicative – variations may apply based on project scope, location or client structure. We suggest planning with ~20% buffer. Binding offers are project-specific.

Unit of accounting - Pallet types

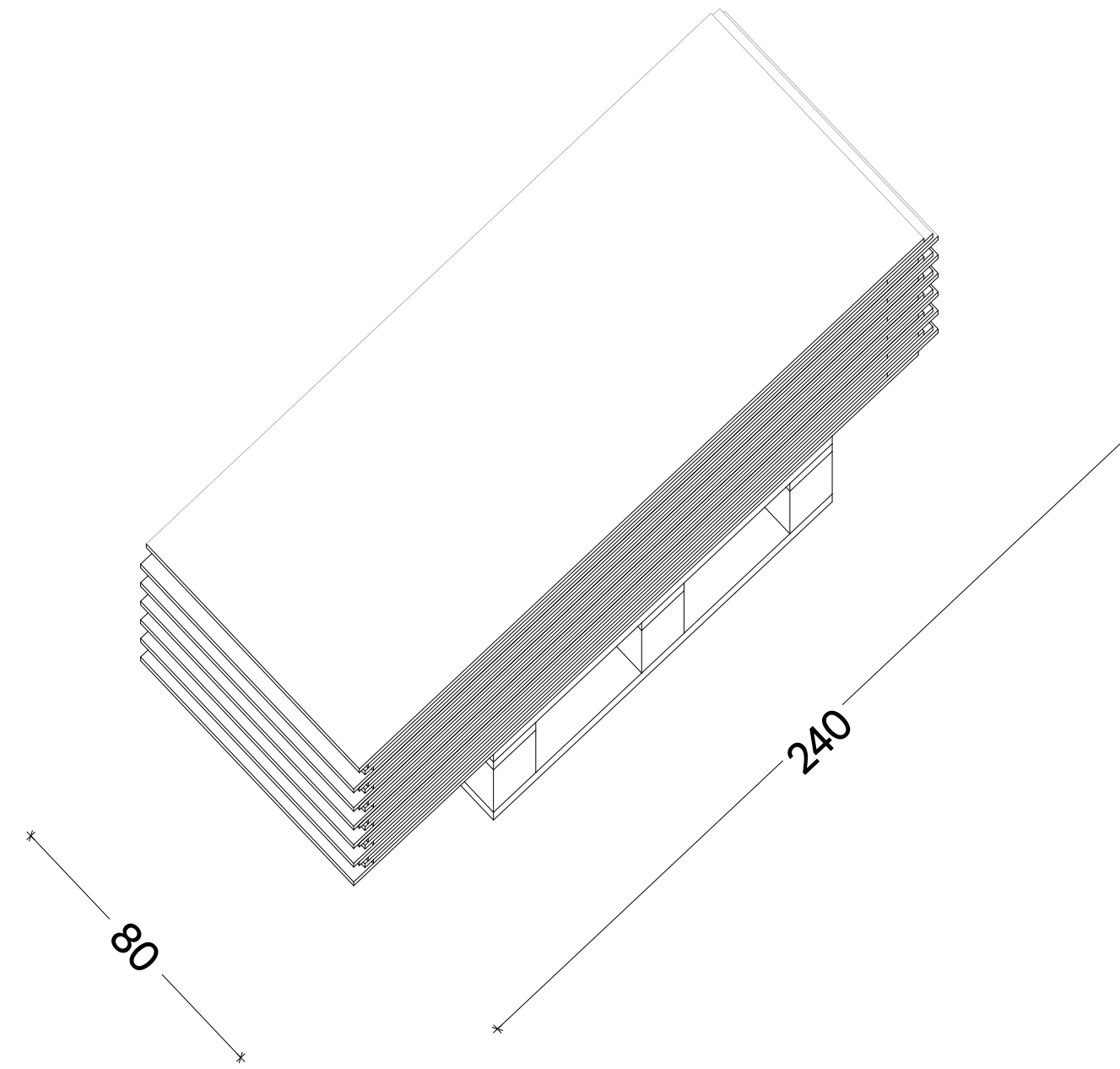
1 PALLET

= Standard size
120 x 80 cm



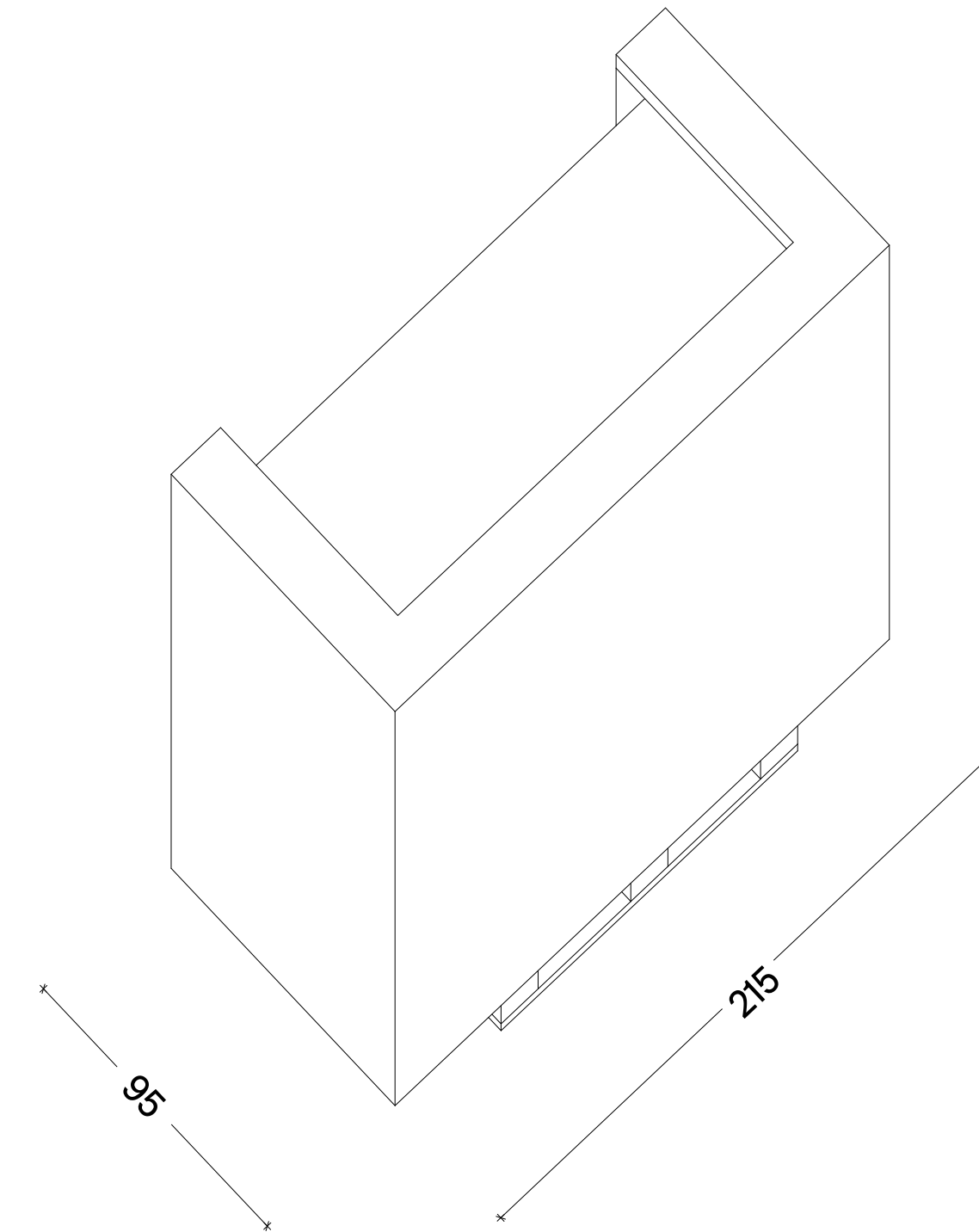
2 PALLETS

= Oversize in width **or** length
> 120 cm **or** > 80 cm



3 PALLETS

= Oversize in both width **and** length
> 120 cm **and** > 80 cm



Note

Height: max. 240 cm incl. pallet

Weight: max. 750 kg per pallet

Materials that qualify for redistribution

WOOD

Meter goods like planks, battens, beams, slats; sheet goods like OSB, MDF, HDF, blockboards, multiplex, etc.

Minimum size: 1 m or 2 m²

TEXTILES & BANNERS

Mesh, PVC, blackout, printed/unprinted fabric graphics, theatre curtains like molleton; nets, gauze, ropes, etc.

Minimum size: 5 m or 5 m²

FLOORING

Carpets, laminate, parquet, vinyl, dance floor, tiles, etc.

Minimum size: 10 m²

METAL

Sheets, profiles, wires, round/square tubes, rods, grids, etc.

Minimum size: 1 m or 1 m²

PLASTICS

Transparent materials like acrylic glass, plexi; foam boards like Kapa, Forex; composite panels like Dibond, etc.

Minimum size: 1 m²

EQUIPMENT & FURNITURE

Counters, showcases, lamps, shelves, props, sofas, modular furniture, etc.

Upon agreement

VARIOUS

Glass, fasteners, foils, foam, polystyrene, paints, rubber, decorations, hardware such as screws, fittings, etc.

Upon agreement

SPECIAL CONSTRUCTIONS

Custom builds like stages, tribunes, sets, etc.

Upon agreement

TECH

CE certification required

Upon agreement

HOW TO QUALIFY

- Undamaged material
- No heavy contamination
- No hazards (e.g., nails)
- Preferably rectangular cuts

Note

Minor wear or cutouts/holes do not disqualify materials.

Requirements for material collection

WHAT MUST BE READY ON-SITE

- Pallet sorted by material type
- Secured with strapping or similar
- Central, easily accessible collection point
- Packaging per instructions (see next page)

WHAT WE PROVIDE

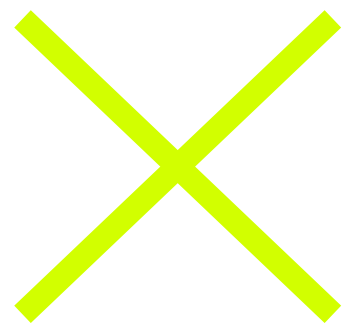
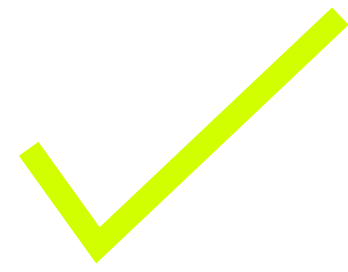
- Finalization and, if needed, customized pallet composition
- Weighing and documentation
- Coordination of loading
- Final securing of pallets

Note

For complex structures, we recommend our optional dismantling support.



Packaging & pick-up - what to know



LEGAL NOTICE REGARDING PICK-UP

- Must be possible on weekdays btw. 9-12 a.m. or additional days may be charged.
- Damaged, improperly packed or unsuitable materials may be rejected.
- If the material is not ready or the technical infrastructure for loading is missing, we are not obliged to take it with us
- On-site disposal and losses are the responsibility of the contractual partners.

Important notes: Binding offers & billing

The quoted pallet prices serve as a rough cost estimate in advance only. For reliable planning, we recommend including a buffer of approximately 20% from the start. A binding offer is made on a project-by-project basis using the final material status and is prepared no later than two weeks before implementation.

We generally do not offer collection services for fewer than 3 pallets per event .

The general terms and conditions of TRASH GALORE apply:

→ www.trashgalore.de/agbs

Note

The final invoice is based on the binding project calculation - not the actually loaded material amount. If fewer materials are available on site or not prepared as agreed, we reserve the right to decide whether the agreed price remains unchanged.

This is because personnel and logistics are scheduled and booked in advance. Last-minute changes do not result in lower costs.



Contact

**Let's work together
to make circular economy possible!**

Contact us for a non-binding consultation -
we'll show how our service can be integrated
into your event.

✉ isc@trashgalore.de

☎ +49 341 3374 1698

